

Buy or Make and How Data Science Infrastructure

SWISS CONFERENCE ON DATA SCIENCE
June 14, 2019

Dr. Philipp Thomann, D ONE
Dr. Lukas Seger, Raiffeisen



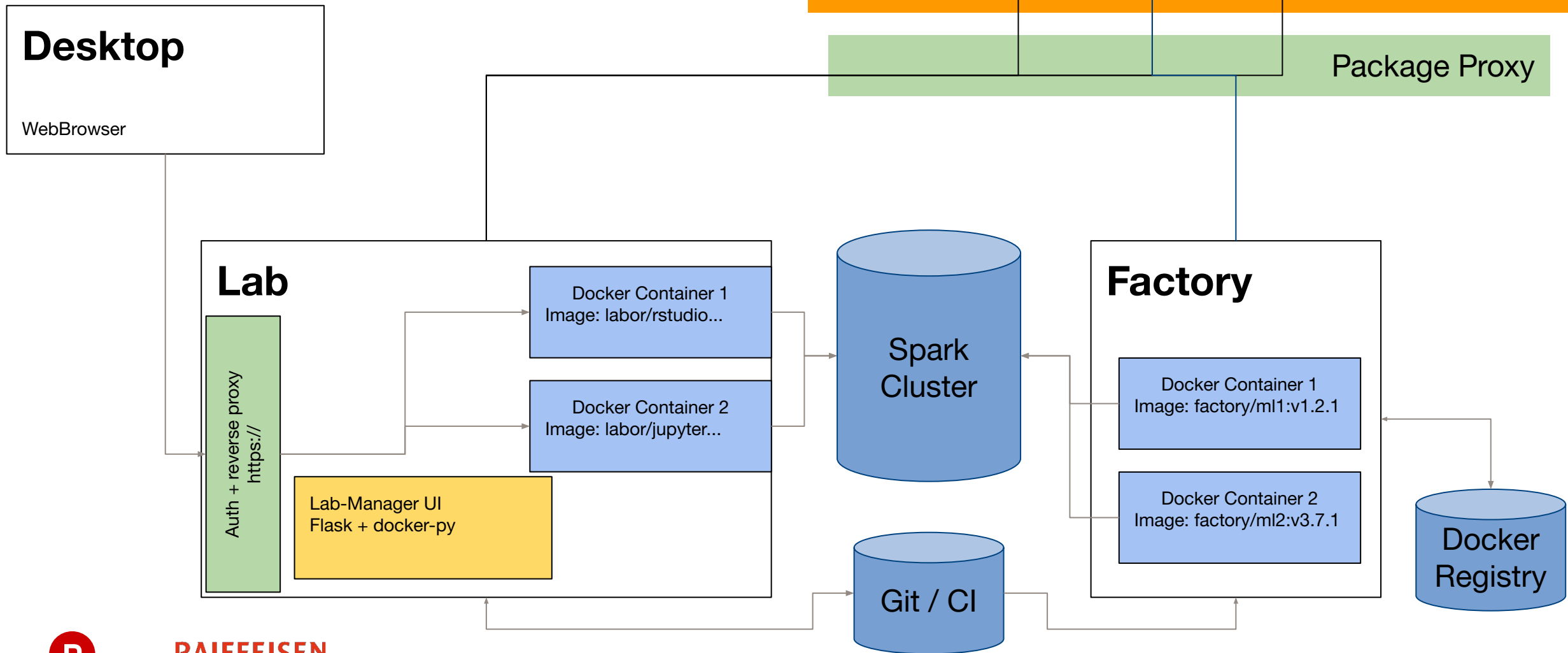
RAIFFEISEN

Make - how?



RAIFFEISEN

Architecture



Best Practices

- Defined Project Process
 - KPI table
 - Up or out
- Project structure
 - src/*.{Rmd,ipynb}
- Management-App
 - Flask
 - Build Docker images and start/stop containers
 - Project/Model lifecycle management
- Standardizing tasks
⇒ consistency

Create Container

Image:	labor/matching_framework:2019-05-08 ▾
Name:	CAP_ <input type="text"/>
Port:	8091 ▾
Docker Memory Hard limit:	5g <input type="text"/>
Docker Max CPUs:	2 <input type="text"/>

Containers

User: uex14840

Name	Image	Port	Prefix	
CAP_AOB_match	labor/matching_framework:2019-05-09	8086	CAP_AOB_match	
CAP_THOH_product_score	fabrik/product_score:2019-05-08	8088	CAP_THOH_product_score	
CAP_HELD_TEST	labor/r_adhoc:2019-04-24	8108	CAP_HELD_TEST	
CAP_thop_die_banane	labor/r_adhoc:2019-04-24	8082	CAP_thop_die_banane	
CAP_moek_test_py	labor/moek_test_py:latest	8090	CAP_moek_test_py	
CAP_MOEK_Test	labor/r_adhoc:2019-04-24	8085	CAP_MOEK_Test	
CAP_thop_test	labor/r_adhoc:2019-04-24	8084	CAP_thop_test	
CAP_THOH_asdf	labor/r_adhoc:2019-04-24	8083	CAP_THOH_asdf	
CAP_AOB_test	labor/r_adhoc:2019-04-24	8080	CAP_AOB_test	
CAP_CACH_2019	labor/r_adhoc:2019-04-24	8150	CAP_CACH_2019	
CAP_SCTI_test_demo	labor/r_adhoc:2019-04-24	8087	CAP_SCTI_test_demo	

LET'S MAKE SENSE

Philipp Thomann
philipp.thomann@d-one.ai

D ONE Solutions AG
Sihlfeldstrasse 58
CH-8003 Zürich

Lukas Seger
lukas.seger@raiffeisen.ch

Raiffeisen Schweiz Genossenschaft
Wassergasse 24
9001 St. Gallen



RAIFFEISEN